

UNC15NPRII

15" Built-In Gourmet Nugget Ice Maker

DIMENSIONS AND INSTALLATION INFORMATION (IN INCHES)

DIMENSIONS

H 34-1/8" to 34-7/8"

W 14-7/8"

D 22-3/4"

Depth including handle is approximately 25 1/2".

NOTE:

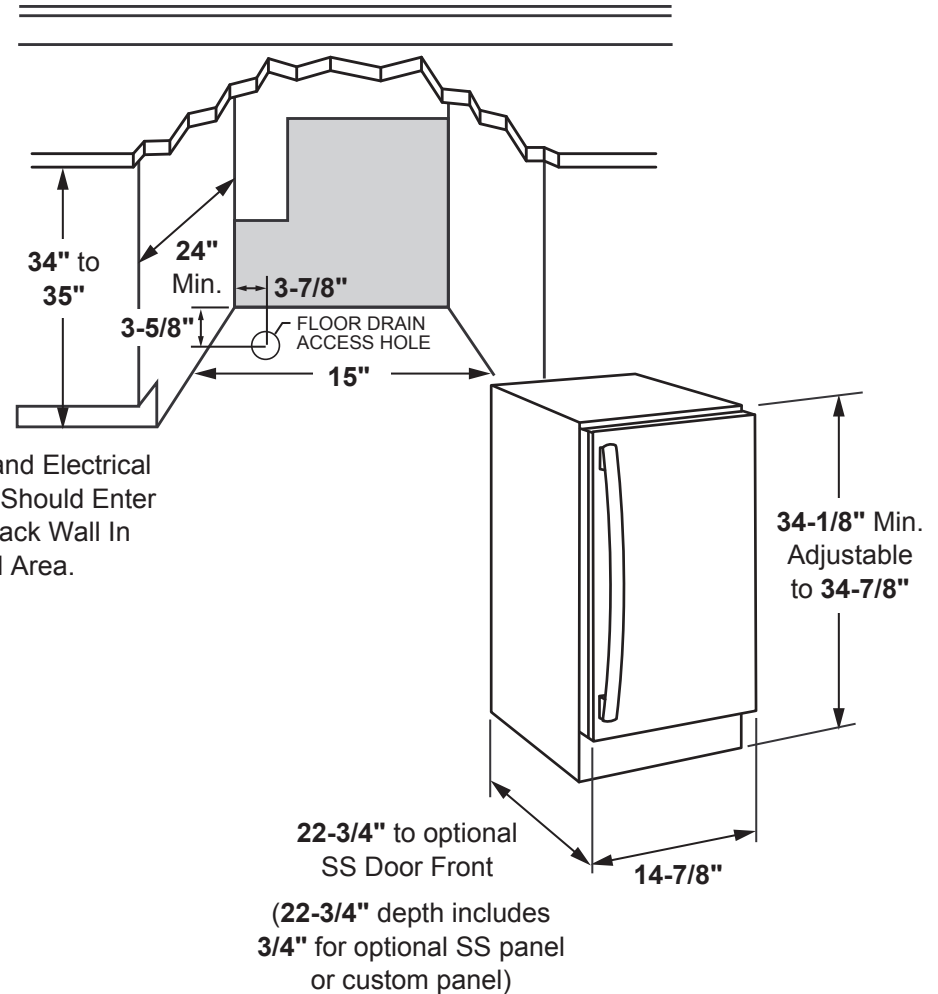
The finished cut-out is determined by the type of installation. Before installing, consult installation instructions packed with product for current dimensional data.

WARRANTY INFORMATION:

Limited one-year warranty, in-home service, parts and labor.*

Limited five-year warranty, parts and labor on the compressor, evaporator and all connecting tubing.*

*See written warranty for complete details.



Water and Electrical
Supply Should Enter
From Back Wall In
Shaded Area.



For answers to your Monogram, GE Café™, GE Profile™ or GE Appliances product questions, visit our website at geappliances.com or call GE Answer Center® Service, 800.626.2000.

UNC15NPRII

15" Built-In Gourmet Nugget Ice Maker

INSTALLATION INFORMATION

The ice machine can be used free-standing or as a built-in, under the countertop.

The ice machine requires a 115 Volt or 110 Volt, 60 Hz., AC only power supply, with an individual, properly grounded branch circuit, protected by a 15 amp fuse or circuit breaker.

Pump Kit UPK4 can be installed, which can force drain water up to a maximum of 10 feet, allowing it to be located where a gravity drain isn't available.

To achieve a custom appearance, the ice machine door accepts 3/4" custom panels to coordinate or contrast with cabinetry. Optional door panels and handle kits are available. Order PKIUG150RSS for stainless steel door panel kit with Profile handle. CKIUP150RS1/D1/W2 for stainless steel, matte black and matte white door panel kits with Café handle. ZKIUN150RS for stainless steel door panel kit with Monogram Statement handle. (Monogram handles sold separately - see list of model numbers below).

PANEL AND HANDLE KITS BELOW

Panel Kits:

PKIUG150RSS (Profile)
CKIUP150RS1/D1/W2 (Café)
ZKIUN150RS (Monogram)

Handle Kits:

Brushed Stainless Handle Kit CXQW1H1PPSS
Brushed Black Handle Kit CXQW1H1PPBT
Brushed Bronze Handle Kit CXQW1H1PPBZ
Brushed Copper Handle Kit CXQW1H1PPCU
Minimalist - Brushed SS Handle Kit Monogram ZXGPIH1CPSS
Statement - Brushed SS Handle Kit Monogram ZXGPIH1PPSS



For answers to your Monogram, GE Café™, GE Profile™ or GE Appliances product questions, visit our website at geappliances.com or call GE Answer Center® Service, 800.626.2000.

UNC15NPRII

15" Built-In Gourmet Nugget Ice Maker

FEATURES AND BENEFITS

Produces Up To 65 Pounds of Ice Per Day*

Ice Storage Capacity: 26 lbs.

ADA Compliant: No

Energy Star: No

Panel Kit: PKIUG150RSS (Profile), CKIUP150RS1/D1/W2 (Café), ZKIUN150RS (Monogram)

Handle Kit: CXQWIH1PPSS, CXQWIH1PPBT, CXQWIH1PPBZ, CXQWIH1PPCU,
ZXGPIH1CPSS, ZXGPIH1PPSS

Drain Pump Kit: Yes

Water Filtration: Inline (GSWF)

Ice Type: Nugget

Clean indicator: Light on unit/app notification alerts when it's time to change water filter

Filter indicator: Light on unit/app notification alerts when it's time to change water filter

F/S or BI Capable: Yes

Indoor/Outdoor Capable: Indoor

Smart Capable: Yes

Control Type: Cap Touch Electronic Control

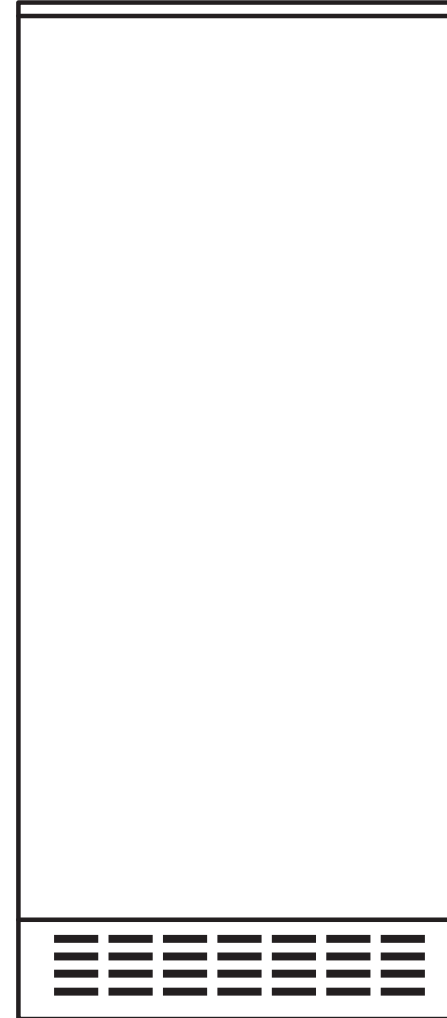
Internal Lighting: LED light

Soft Touch Ice Scoop: Yes

Optional door and handle kits available

Optional drain pump kit UPK4 is available

Model UNC15NPRII – Panel ready



**In a 24 hour period, the icemaker produces up to 65 pounds of ice in a 70 degree ambient/50 degree water temperature, or up to 48 pounds in a 90 degree ambient/70 degree water temperature.*